

Model: CSD-1106-03

3-50%RH, 1160L



CSD-1106-03 is engineered for medium to long-term constant low humidity storage min. <3%RH. The circulation of air in the cabinet is regulated by an internal fan. All surfaces are ESD coated in conformity with current ESD 61340-5-1 standard. It is ideal for the moisture-proof and anti-oxidation storage of wide-ranging technologies and conforms with IPC/JEDEC J-STD 033D.

Totech (Toyo Living) is the creator of world's first Automatic Drying System invented in 1973.

Super Dry cabinets use the highly-quality and highly reliable Toyo Living engine and has been sold over 700,000 units and used in over 10,000 companies around the world. We also supply various kinds of custom-build cabinet to best suit our client's need.

Features

- ❖ Modular design: Totech Super Dry is modularly designed dry cabinet. The main modules include dry unit, control box, shelves, castors and hygrometer. All of the modules can be replaced easily. Totech dry cabinet can be used as long as the cabinet structure is in good condition. Most of our customers can use the Totech dry cabinets for more than 10 years without any problem.

- ❖ ESD safe design: Cabinet is with ESD metal painted steel body and steel shelves and ground wire, well comply with IEC 61340-5-1.

- ❖ Convenient Operation : CSD-1106-03 set and display with digital panel.

- ❖ Maintenance free design: Totech dry cabinet works by dry units. An interlocked fan causes the air to circulate through the dry unit, while passing through the dry unit moisture in the air is absorbed by the zeolite desiccant. During periodic regenerating of the zeolite desiccant by heating, the absorbed humidity is evaporated and exhausted through the external shutters of the dry unit. The process is physical, and no extra maintenance at all.

- ❖ Lockable doors: Every door can be locked separately with a key.

Applications

SUPER DRY maintains preset internal humidity levels from <3~50%RH and is ideal for moisture-proof and anti-oxidation storage applications, offering protection from corrosion, mold and deterioration for such items as:

- ❖ all kinds of Integrated Circuits (IC), like Monolithic, BGA, QFP; PLCC, Bipolar etc.
- ❖ Silicon Wafers.
- ❖ Aerospace related Instruments and Tools.
- ❖ Optical Equipment and Machine Tools.
- ❖ Watches.
- ❖ PDP Inspection Equipment, Liquid Crystal Cleaning Equipment, LCD's, TAC's etc.
- ❖ LED's and LD's.

Specifications

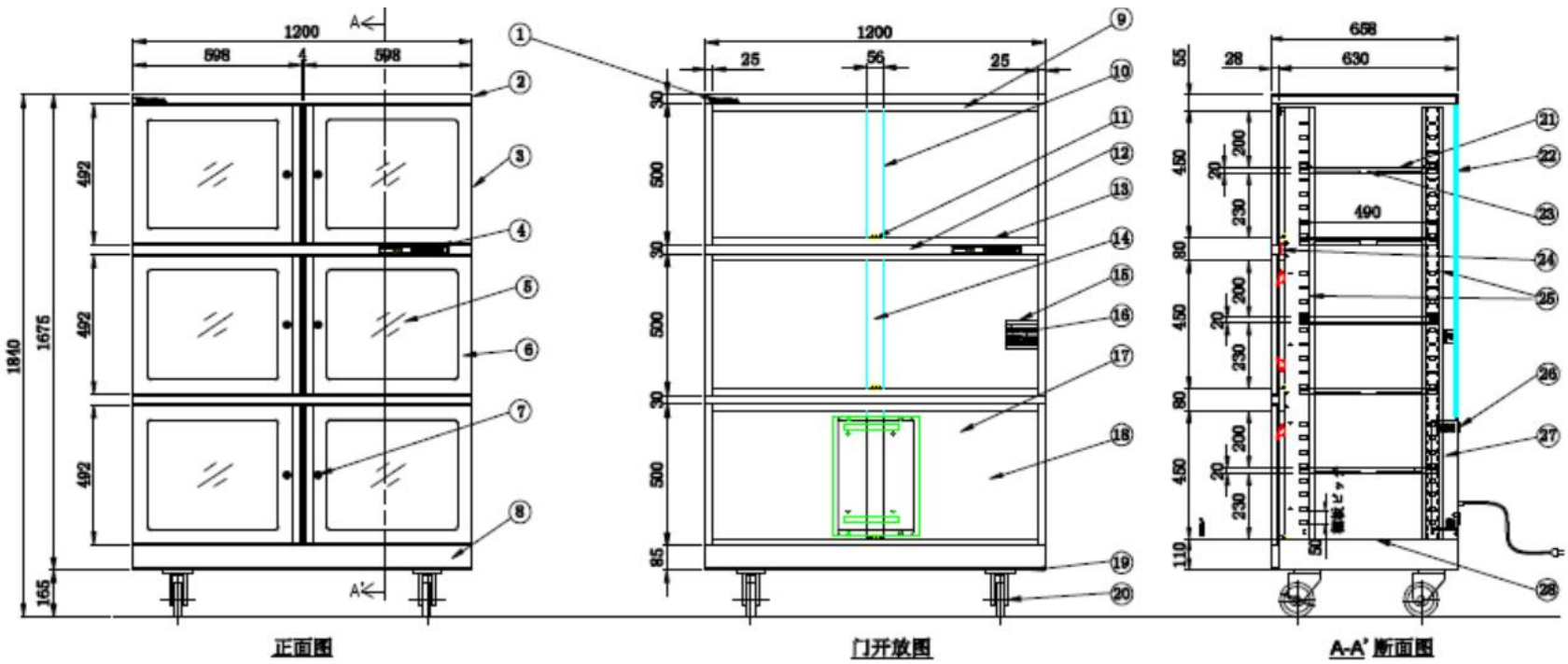
Humidity Range	3-50%RH
Sensor accuracy	±2%RH, ±1°C
External dimensions	(W x H x D) 1200 x 1840 x 658 mm
Internal dimensions	(W x H x D) 1190 x 1560 x 630 mm
Weight	155 kg
Capacity	1160 L
Shelves (W x D)	5 pcs, 1157 x 490 mm, adjustable (ESD painted steel)
Max weight on shelf	100 kg
Structure	1.2mm steel
Cabinet color	Gray
Door	6 pcs, with handles, airtight magnetic sealers
ESD grounding wire	1M Ω
Voltage	220 V AC (110 V AC optional)
Power consumption	Ave. 28W/h
Castors	4 pcs, 2 of them with brakes



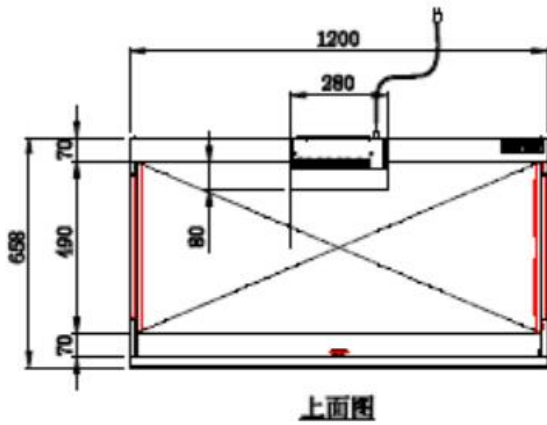
Model: CSD-1106-03

3-50%RH, 1160L

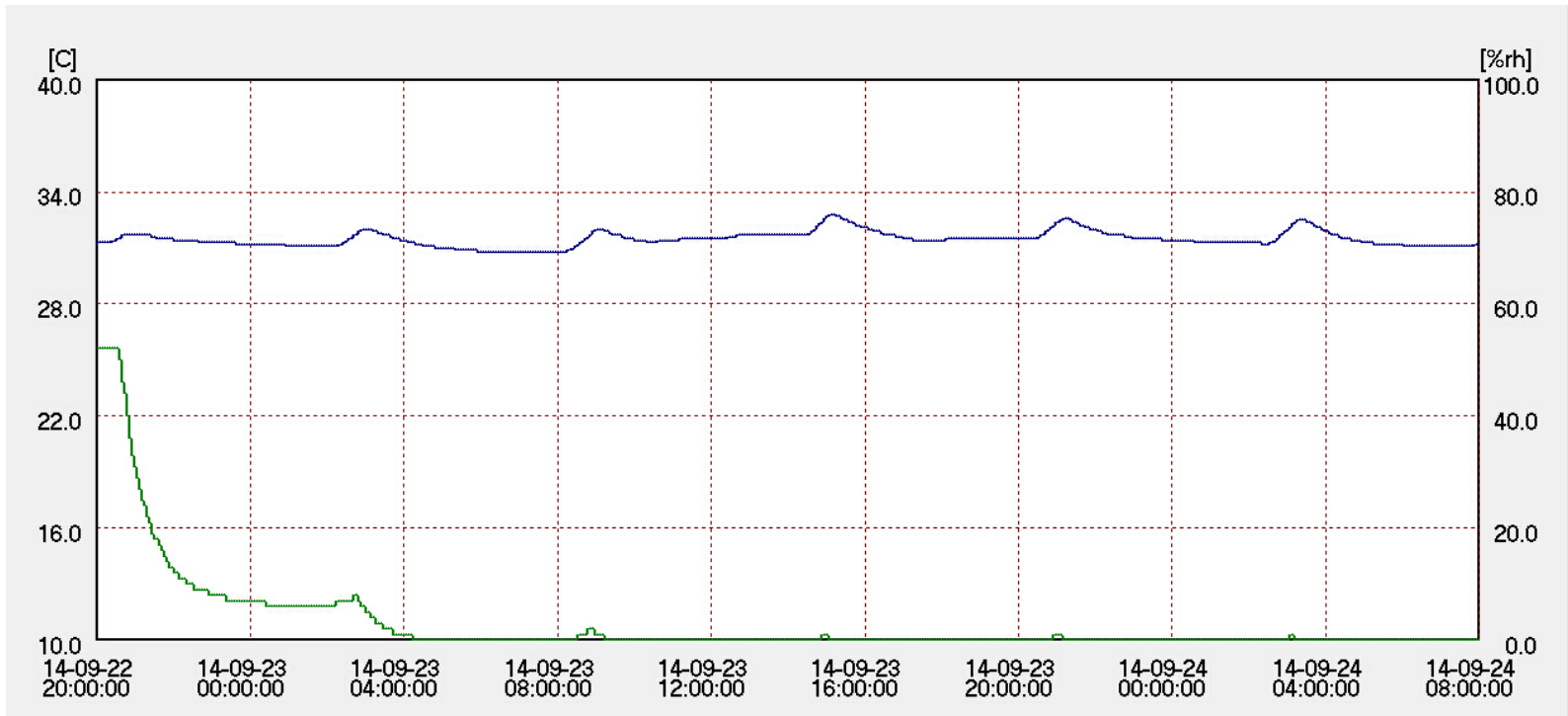
Drawing of CSD-1106-03



- ❖ Customized models with different dimensions are AVAILABLE.
- ❖ The max.external dimensions can be made into W1600mm, D960mm, H2000mm.



Unloaded Test



- ❖ Condition: 2014.09.22 20:00 ~ 2014.09.24 08:00
- ❖ Instrument: CHINO Data logger, Model: MR6662. Accuracy rating: $\pm 0.5^{\circ} \text{C}$, $\pm 3\% \text{RH}$.

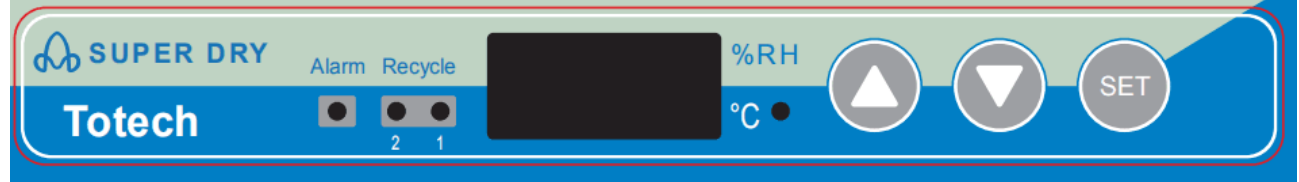


Model: CSD-1106-03

3-50%RH, 1160L

Digital Control Panel

- ❖ Set humidity value precisely, display humidity and temperature value
- ❖ Set the humidity and door open alarm
- ❖ Set the nitrogen purging time
- ❖ Lock the panel to avoid unintended changes of setting
- ❖ Sensor calibration

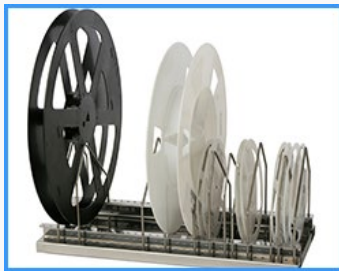


Available options



❖ Extra shelf

Greatly increase the usable space inside Super Dry



❖ SMD single rack (stainless steel)

Suitable for storage of components on tape and reel, can pull out on rail



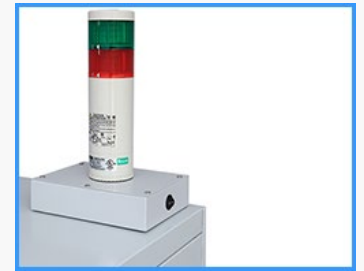
❖ SMD double rack (stainless steel)

Suitable for storage of components on tape and reel, can pull out on rail



❖ Humidity/ Door open alarm buzzer

Alarm buzzer sounds when its internal humidity/ door open time exceeds set value



❖ Humidity alarm light

Alarm light flashes and sounds when its internal humidity exceeds set value



❖ Independent Nitrogen purge system (Model TN2-02)

Effective usage of N₂ combined with Super Dry, help to accelerate the recovery time and oxidation prevention. Set the buttons on N₂ purge system itself



❖ Nitrogen valve (Model: HN2-01)

Simple N₂ flow meter 0-25L/min adjustable



❖ Data logger with

software (model 174H)

Data logging humidity and temperature, can read and output data by software with a PC



❖ Adjustable legs

Available for effective stabilization



Standard

❖ Wrist strap connection

Allows grounding while handling ESD sensitive materials



Standard

❖ Castors(4 pcs)

To move the cabinet on floor easily