



Model: SDC-1204-01 1%RH, Air cleanliness class 100



SDC-1204-01 is equipped with HEPA filter and dry unit, controlling cleanliness and humidity simultaneously. Air cleanliness class 100, humidity 1%RH. It is designed for moisture sensitive SMD packages to comply with IPC/JEDEC J-STD-033C, most suitable for clean room use. Two powerful dry units installed, making it very suitable for operation with frequent approach.

Totech (Toyo Living) is the creator of world's first Automatic Drying System invented in 1973.

Super Dry cabinets use the highly-quality and highly reliable Toyo Living engine and has been sold over 700,000 units and used in over 10,000 companies around the world. We also supply various kinds of custom-build cabinet to best suit our client's need.

Features

- ❖ Modular design: Totech Super Dry is modularly designed dry cabinet. The main modules include dry units, control box, sensor, shelves, castors, humidity&temperature monitoring module. All of the modules can be replaced easily. Totech dry cabinet can be used as long as the cabinet structure is in good condition. Most of our customers can use the Totech dry cabinets for more than 5 years without any problem.
- ❖ Dry units: 1%RH
- ❖ ESD safe design: Cabinet is with ESD metal painted steel body (10⁶ Ohm/sq), Dissipative glass windows (in- and outside 10⁸ Ohm/sq) , stainless steel shelves and ground wire, well comply with IEC 61340-5-1.
- ❖ Convenient Operation: Totech Super Dry cabinet is with digital control panel, can control the humidity precisely from 1% to 50%RH, by adjusting ± 0.1%RH. Humidity, temperature and alarm functions are shown and can be adjusted by digital control panel. Key Lock function on the digital control panel prevents unintended changes of setting. Sensor calibration function is also available with digital panel.
- ❖ Maintenance free design: Totech dry cabinet works by dry units. An interlocked fan causes the air to circulate through the dry unit, while passing through the dry unit moisture in the air is absorbed by the zeolite desiccant. During periodic regenerating of the zeolite desiccant by heating, the absorbed humidity is evaporated and exhausted through the external shutters of the dry unit. The process is physical, and no extra maintenance at all.
- ❖ Data monitoring (Option): Monitor and record data of humidity and temperature of dry cabinets in different sites of the factory in 24hrs, and data can be transferred to a PC by RJ45 connector for consulting and printing. Alarm will be sent automatically when the data exceeds the normal level.
- ❖ Lockable doors: Every door can be locked separately with a key.
- ❖ Alarm setting (Option): Humidity/door open alarm buzzer and humidity alarm light tower.

Applications

SUPER DRY SDC series preset internal humidity levels from 1~50%RH and inner air cleanliness class 100, ideal for moisture-proof and anti-oxidation storage applications, offering protection from corrosion, mold and deterioration for such items as:

- ❖ All kinds of Integrated Circuits (IC), like Monolithic, BGA, QFP; PLCC, Bipolar etc.
- ❖ Silicon Wafers.
- ❖ Aerospace related Instruments and Tools.
- ❖ Optical Equipment and Machine Tools.
- ❖ Watches.

Specifications

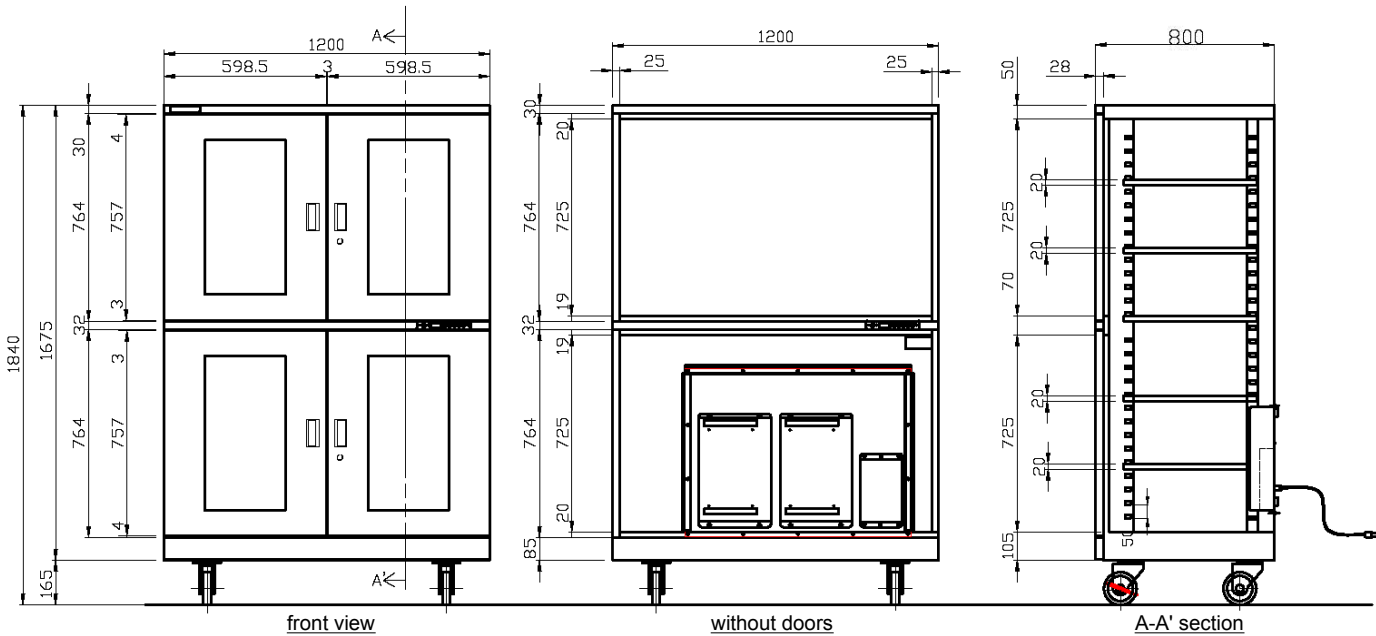
Humidity Range	1%~50%RH
Air cleanliness class	100
Sensor precision	±3%RH, +/-0.3°C
External dimensions	(W x H x D) 1200 x 1840 x 800 mm
Internal dimensions	(W x H x D) 1190 x 1569 x 629 mm
Weight	193 kg
Capacity	1195 L
Shelves (W x D)	5 pcs, adjustable (stainless steel)
Max weight on shelf	100 kg
Structure	1.2mm Steel, conductive coated 10 ⁶ Ω/sq
Cabinet color	Gray
Door	4 pcs, with handles, airtight magnetic sealers and anti-static glass.
ESD grounding wire	1M Ω
Voltage	220 V AC (110 V AC optional)
Power consumption	Ave. 65W/h
Castors	4 pcs, 2 of them with brakes
Software (Option)	To read and draw the curve of humidity and temperature.



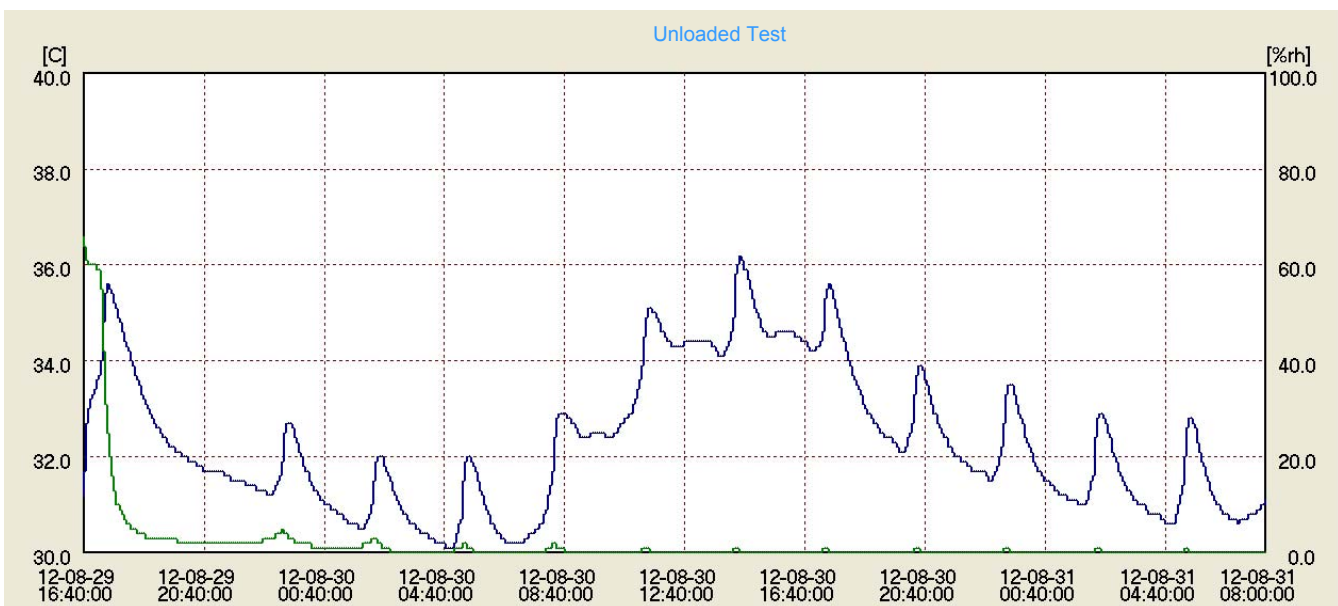
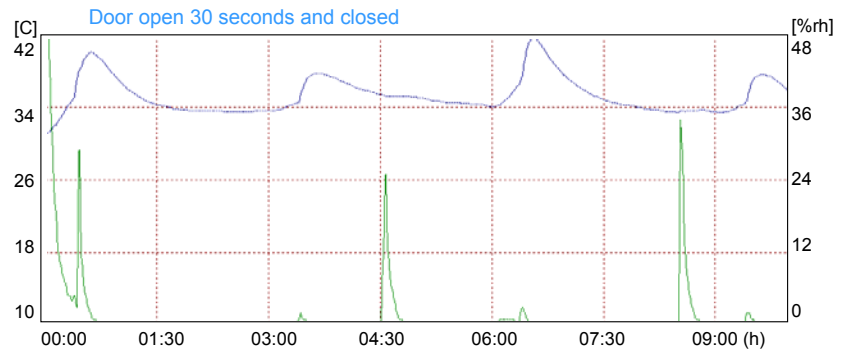
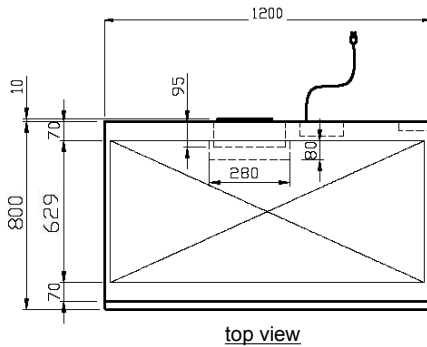


Model: SDC-1204-01 1%RH, Air cleanliness class 100

Drawing of SDC-1204-01



- ❖ Customized models with different dimensions are AVAILABLE.
- ❖ The max.external dimensions can be made into W1700mm, D960mm, H2000mm.



- ❖ Condition: 2012.08.29 16:40 ~ 2012.08.31 08:00
- ❖ Instrument: CHINO Data logger, Model: MR6662. Accuracy rating: $\pm 0.5^{\circ}\text{C}$, $\pm 3\%\text{RH}$.





Model: SDC-1204-01 1%RH, Air cleanliness class 100

Digital Control Panel

- ❖ Set humidity value precisely, display humidity and temperature value
- ❖ Set the humidity and door open alarm
- ❖ Set the nitrogen purging time
- ❖ Lock the panel to avoid unintended changes of setting
- ❖ Sensor calibration



Available options



❖ Extra shelf

Greatly increase the usable space inside Super Dry



❖ SMD single rack (stainless steel)

Suitable for storage of components on tape and reel, can pull out on rail



❖ SMD double rack (stainless steel)

Suitable for storage of components on tape and reel, can pull out on rail



❖ Humidity/ Door open alarm buzzer

Alarm buzzer sounds when its internal humidity/ door open time exceeds set value



❖ Humidity alarm light

Alarm light flashes and sounds when its internal humidity exceeds set value



❖ Independent Nitrogen purge system (Model TN2-02)

Effective usage of N₂ combined with Super Dry, help to accelerate the recovery time and oxidation prevention. Set the buttons on N₂ purge system itself



❖ Nitrogen valve (Model: HN2-01)

Simple N₂ flow meter 0-25L/min adjustable



❖ Nitrogen auto purge system (Model AN2-03)

Effective usage of N₂ combined with Super Dry, help to accelerate the recovery time and oxidation prevention. Set on digital control panel



❖ Adjustable legs

Available for effective stabilization



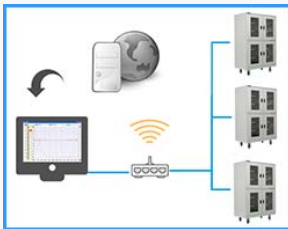
❖ Wrist strap connection

Allows grounding while handling ESD sensitive materials



❖ Data logger with software (model MR6662)

Data logging humidity and temperature, can read and output data by software with a PC



❖ Network system for humidity and temperature (including module and software)

Far distance humidity and temperature monitoring



Standard

❖ Castors(4 pcs)

To move the cabinet on floor easily

